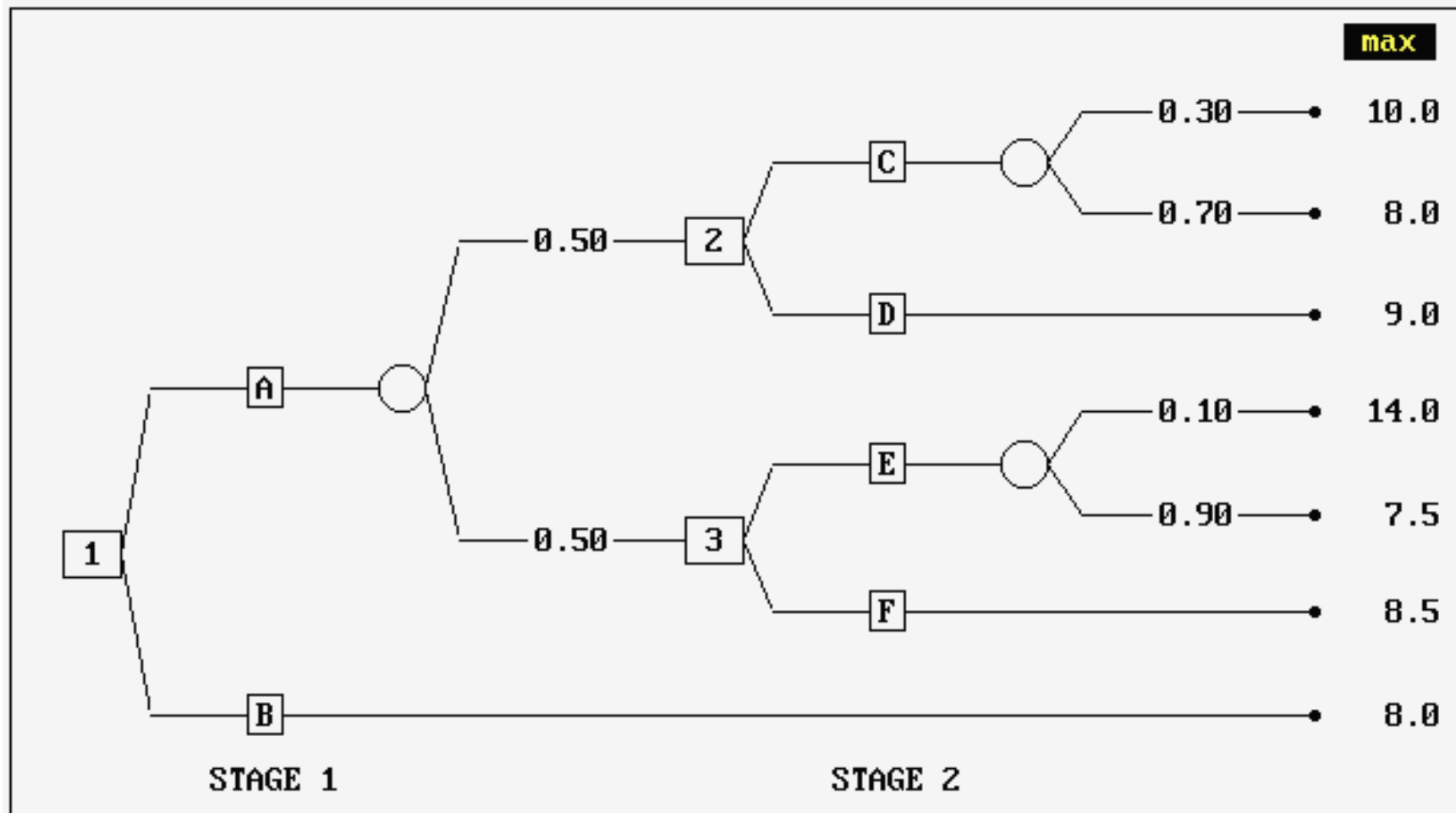


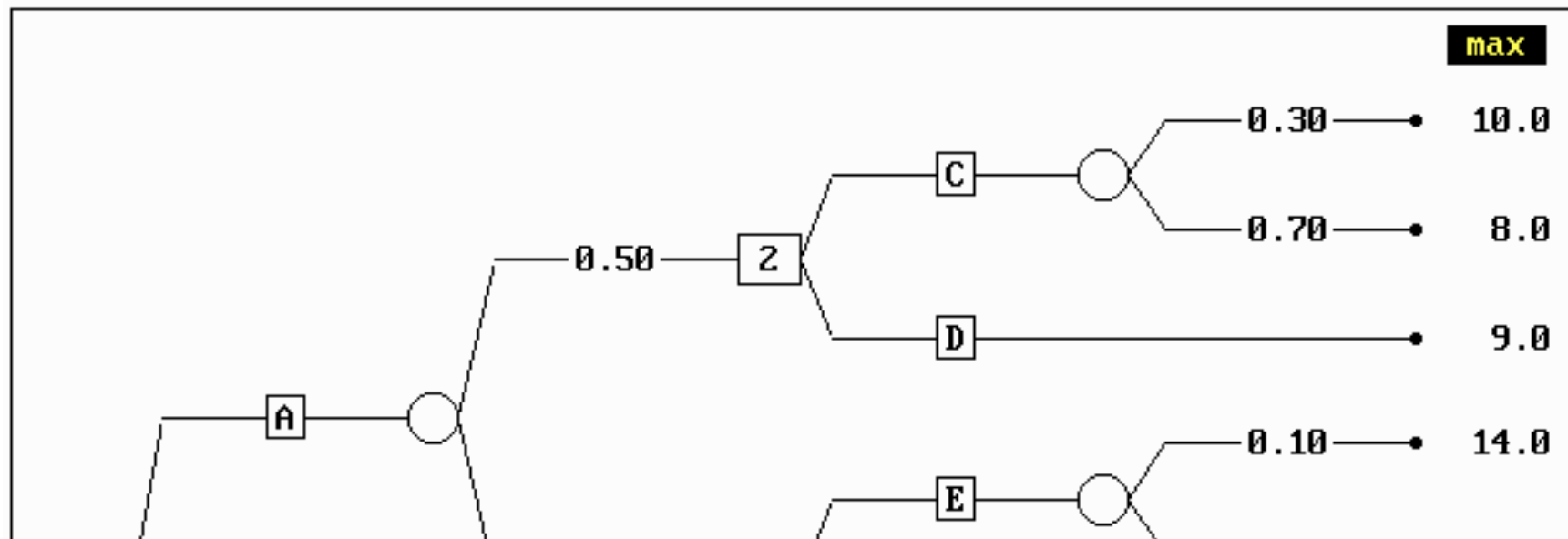
Программа DRZEWO1.EXE

Исследование операций
с применением компьютера
Версия 2.00a (2007)

DECISION TREE
Reading problem from a file

DRZEWO1 / 2

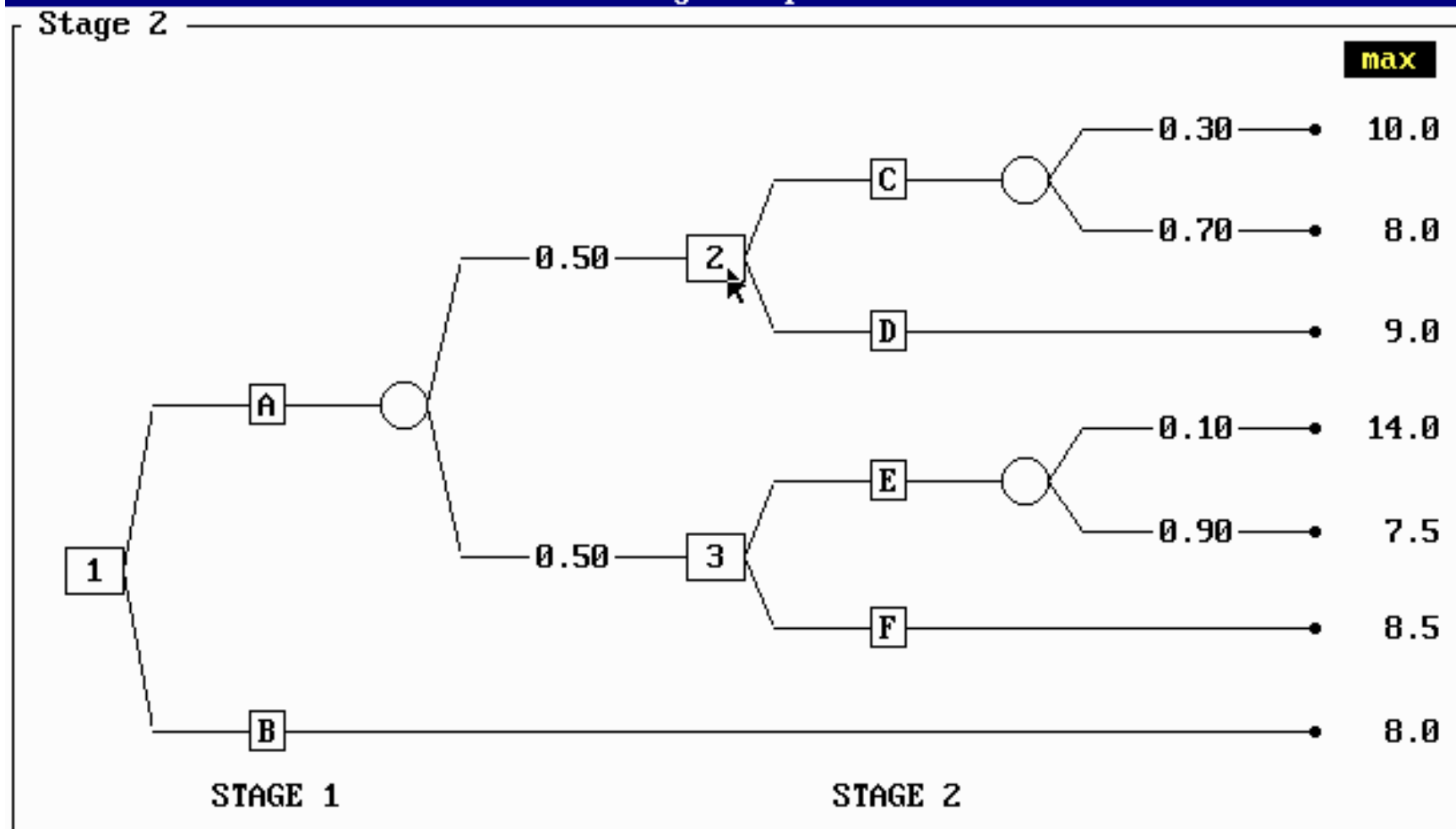




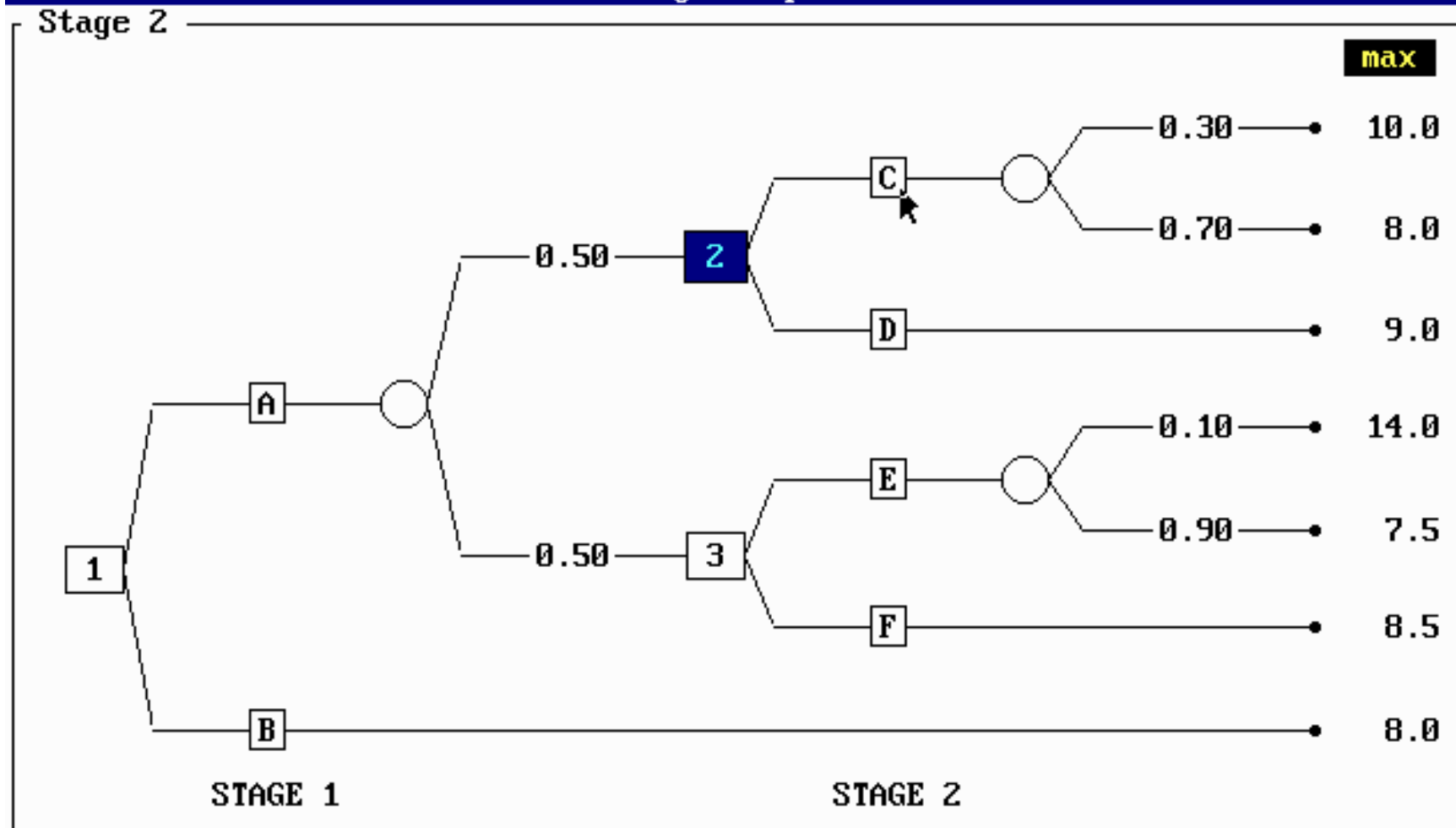
Stage	Decision node	Decision	Probability	State of nature Profit
1	1	A	0.50	2
			0.50	3
2	2	B	1.00	8.0
			0.70	8.0
		C	0.30	10.0
			0.70	8.0
3	E	0.10	14.0	
		0.90	7.5	
		F	1.00	8.5

DECISION TREE
Solving the problem

DRZEWO1 /4



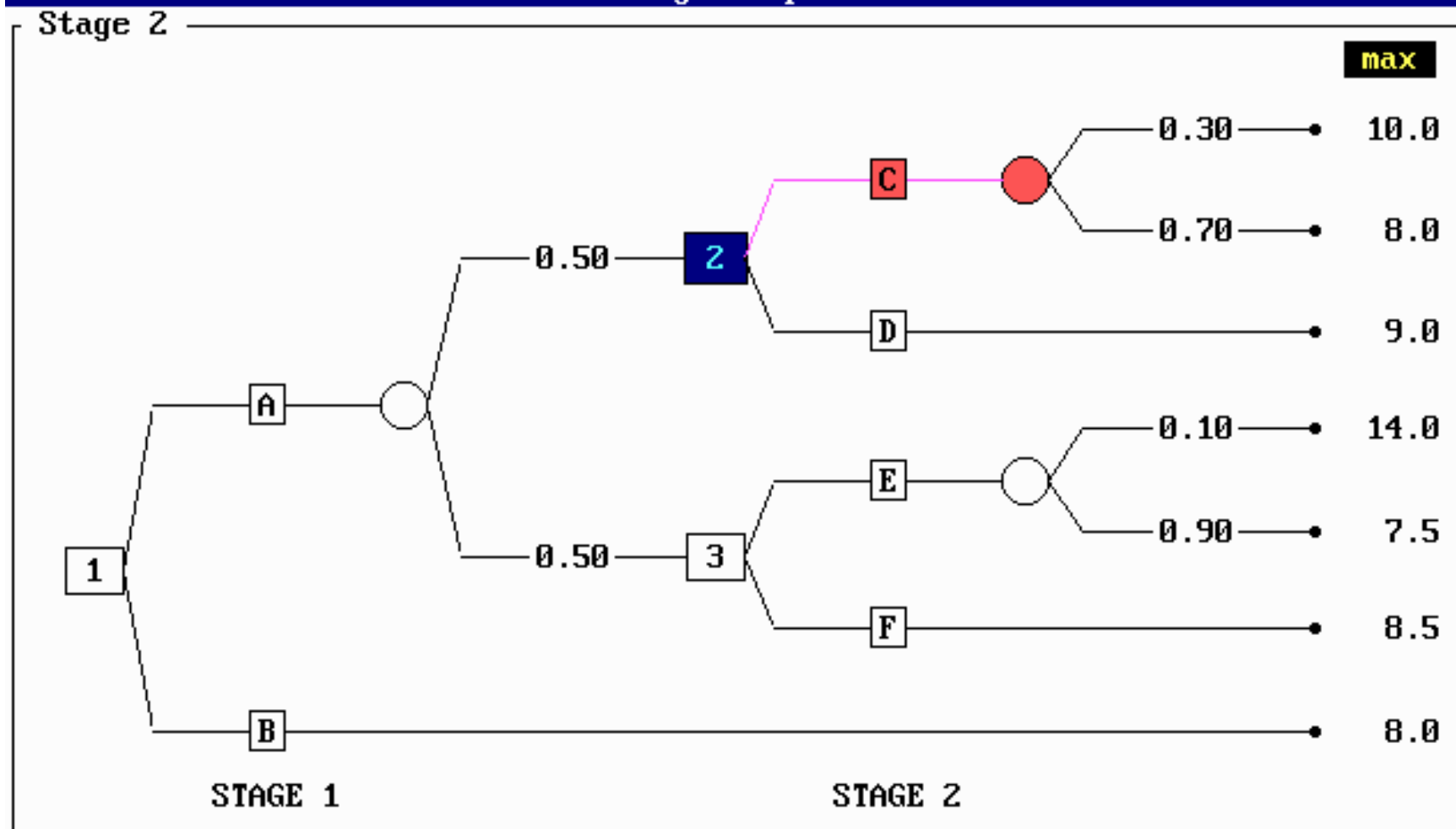
Select the decision node



Select the decision

DECISION TREE
Solving the problem

DRZEWO1 /6

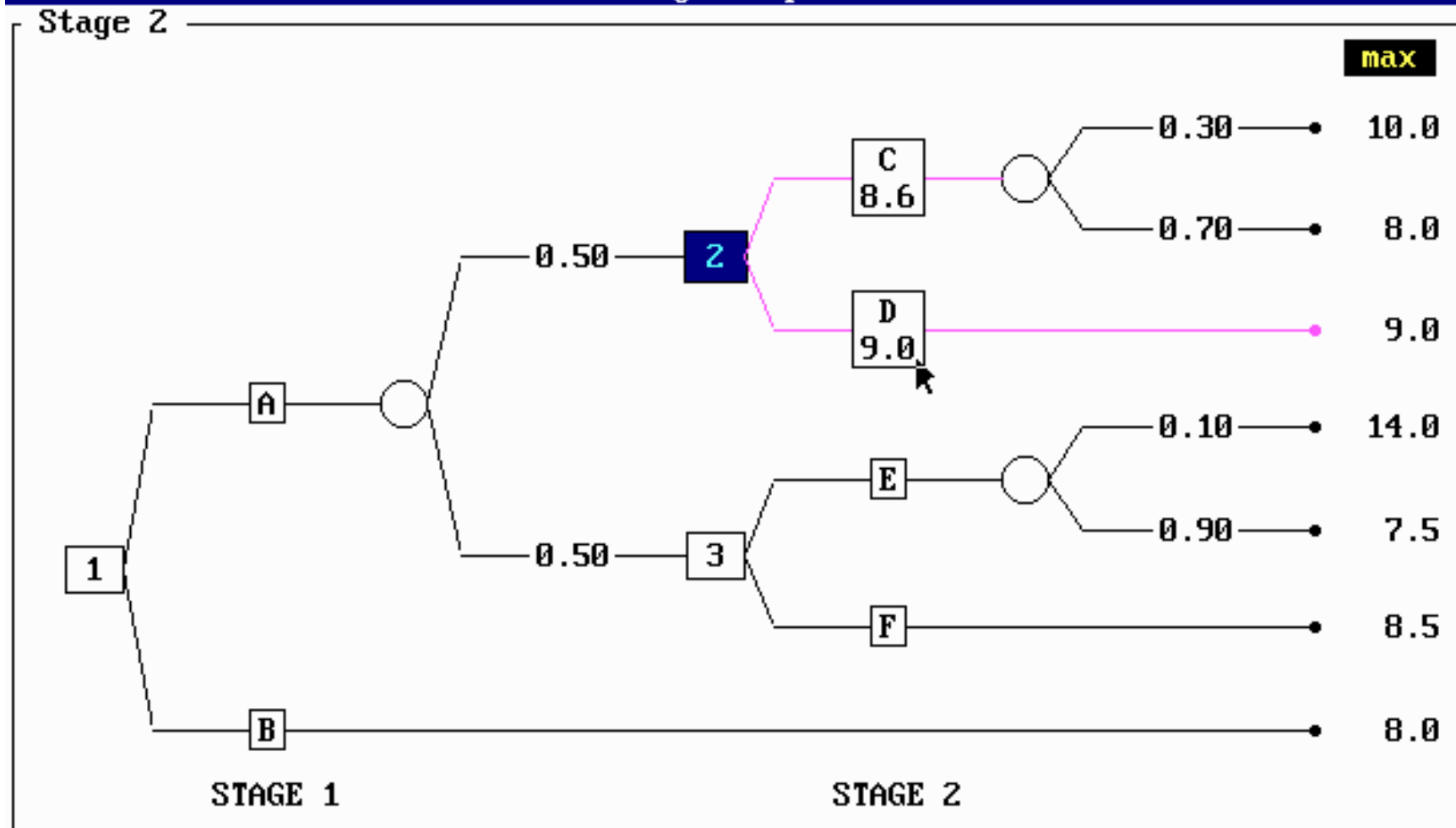


Calculate expected profit:

$$0.30 * 10.0 + 0.70 * 8.0 = 8.6$$

DECISION TREE
Solving the problem

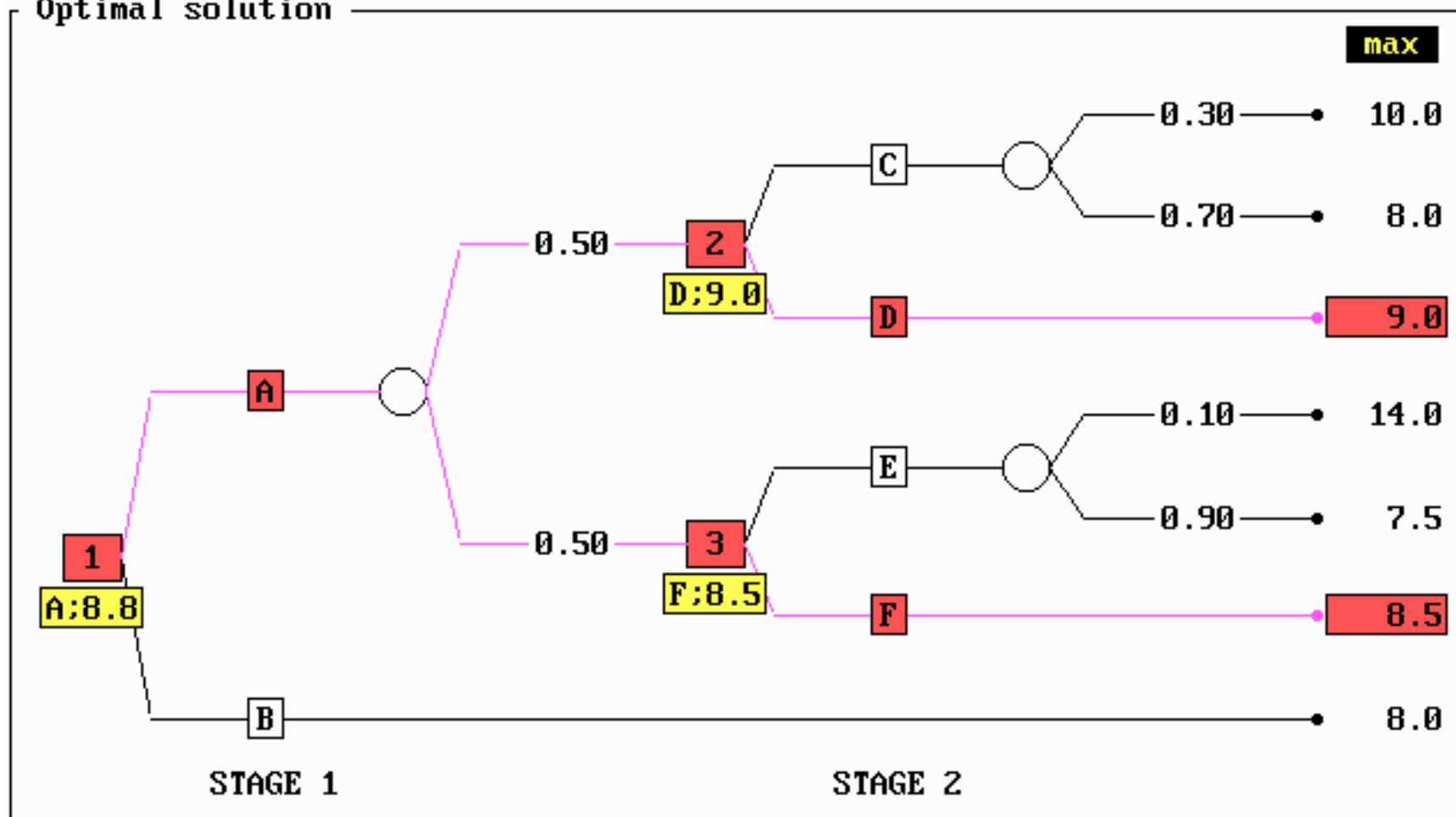
DRZEWO1 / 7



Select the optimal decision

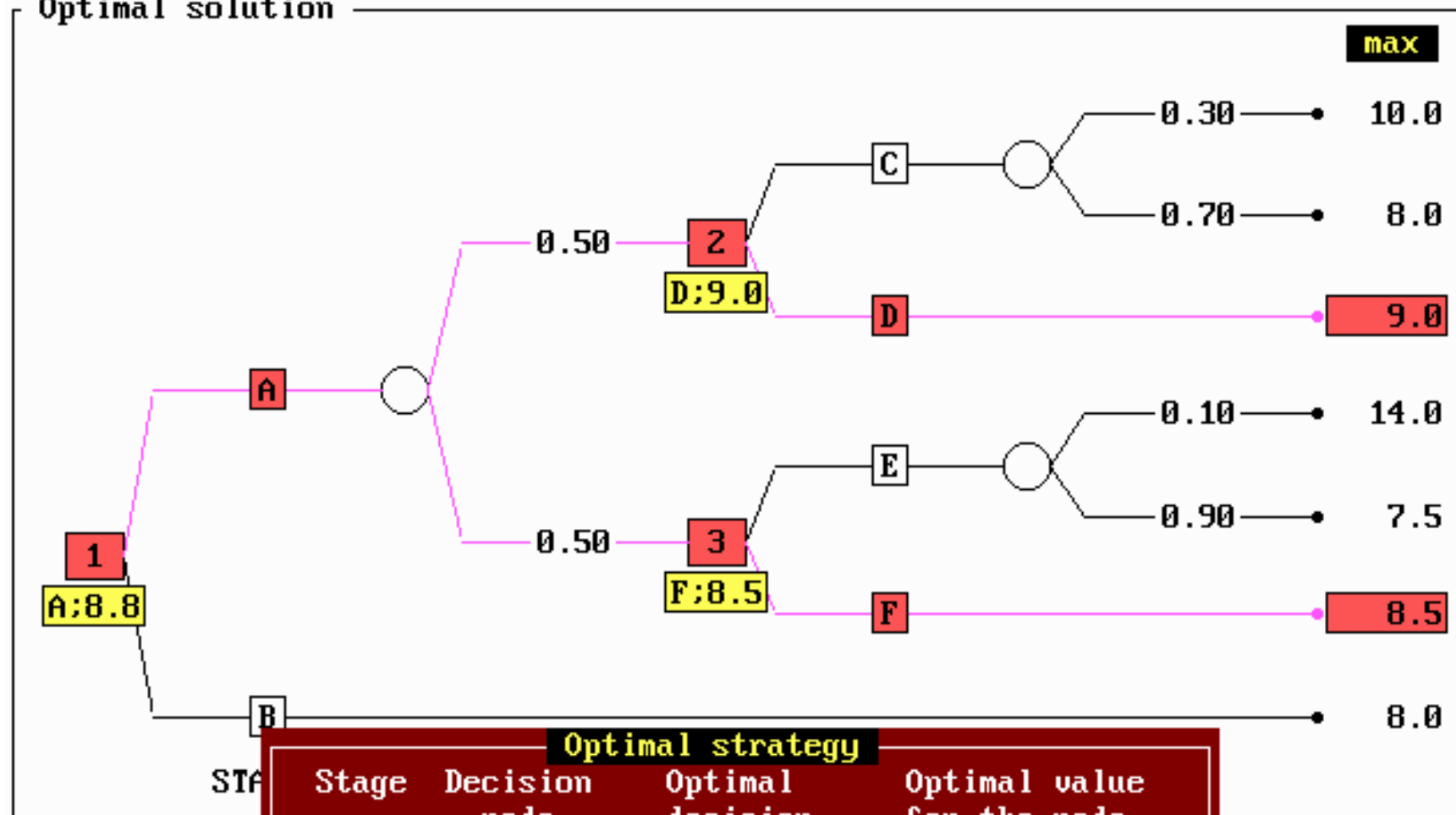
DECISION TREE
Solving the problem

Optimal solution



DECISION TREE
Solving the problem

Optimal solution



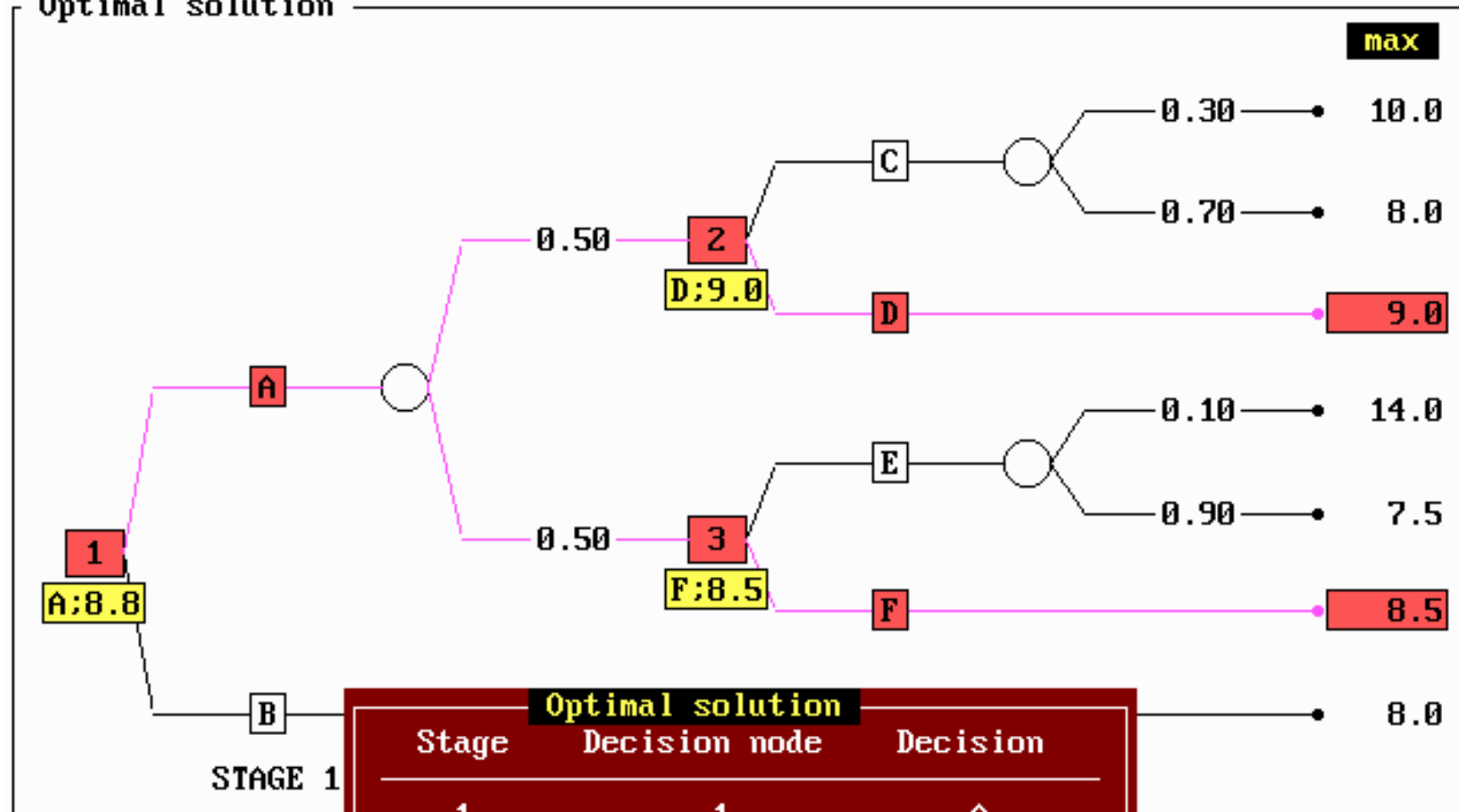
Optimal strategy

Stage	Decision node	Optimal decision	Optimal value for the node
1	1	A	8.8
2	2	D	9.0
	3	F	8.5

DECISION TREE
Solving the problem

DRZEWO1/10

Optimal solution



Optimal solution		
Stage	Decision node	Decision
1	1	A
2	2	D
	3	F
Expected profit:		8.8

